

**Technological capabilities of DPS
PHOTOMOD 6.0: Practice
implementation in the
cartographic production.**

Khaydukova Diana

JSC "URALGEOINFORM", RUSSIA

Available software licenses

PHOTOMOD AT, AAT — 5

PHOTOMOD SolverA — 2

PHOTOMOD SolverS — 1

PHOTOMOD DTM — 9

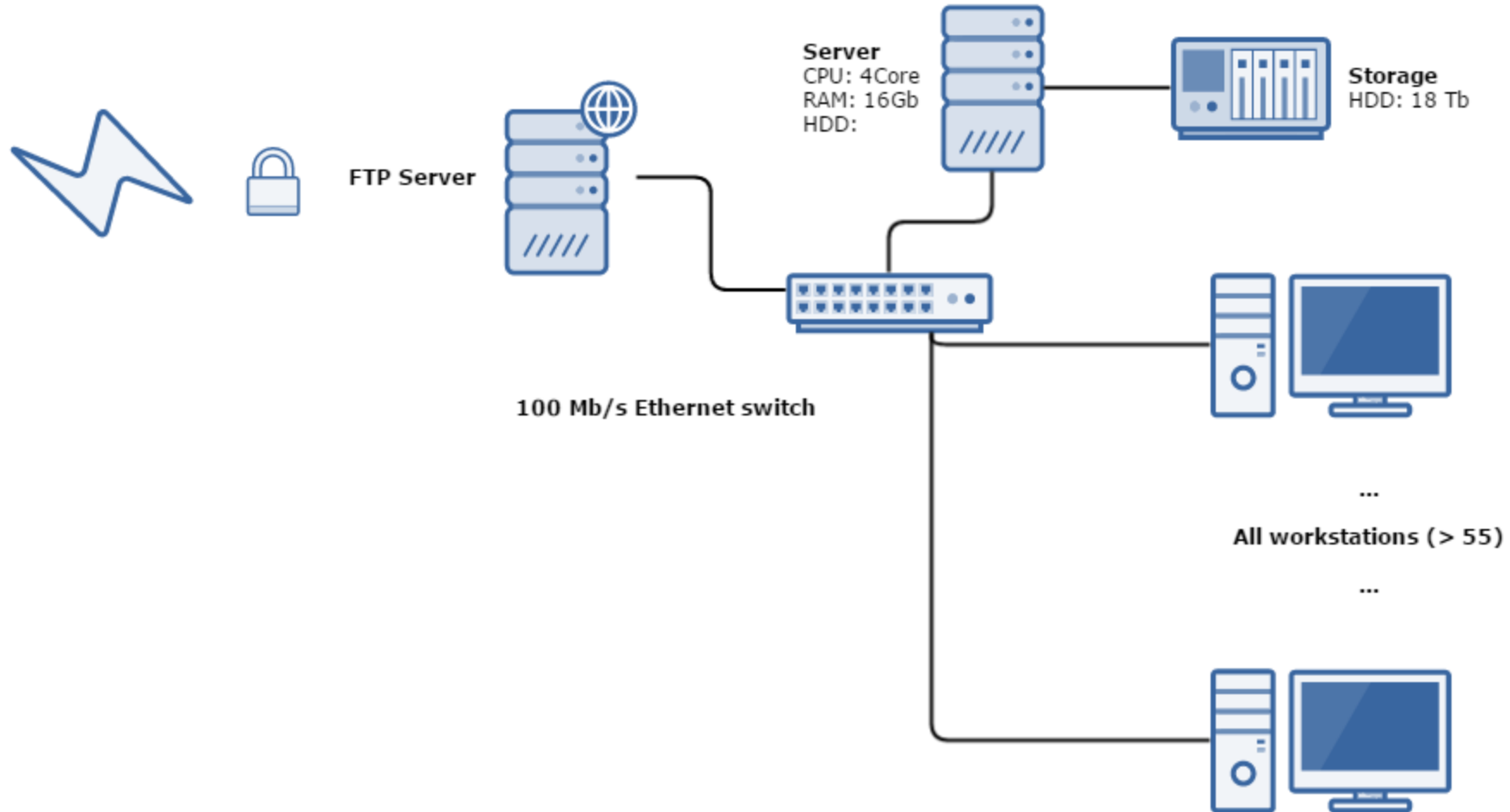
PHOTOMOD StereoDraw — 12

PHOTOMOD Mosaic — 3

PHOTOMOD ParProc — 9



Network configuration at Nov. 2014 - Sep. 2015



The experiment and the experimental conditions

Total area: **698`000.00** sq km

Number of satellite images: **5139**

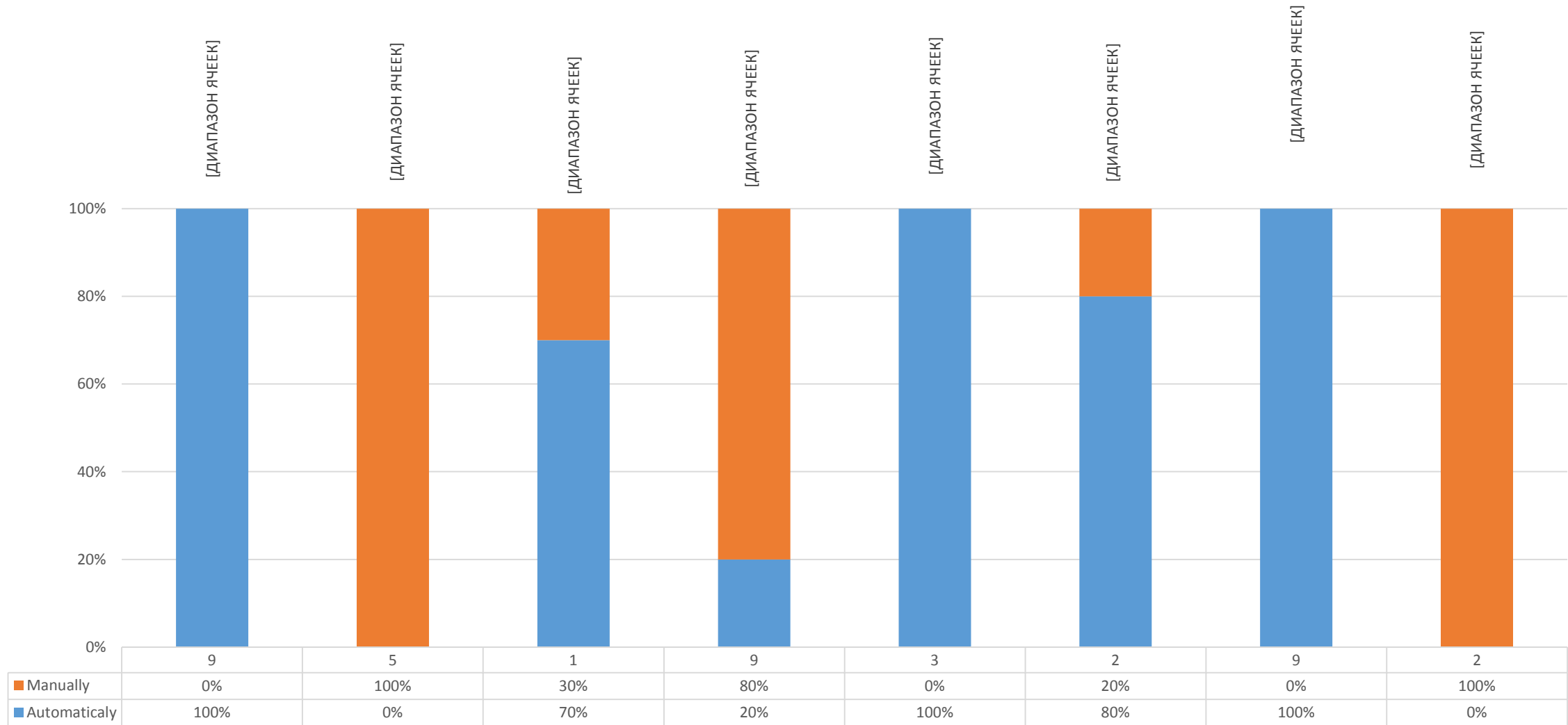
Satellites: **TH-1, TH-2, ZY-3**

The total size of the images: **1`400.83 Gb.**

The resulting volume of digital orthophotos: **3000**
nomenclature sheets



Workflow



The purpose of the experiment

Main objective:

In the period up to February 2015. without the use of additional funding for changes in the technological and software infrastructure of the enterprise by two specialists in traditional technological scheme to create 3000 orthophotos

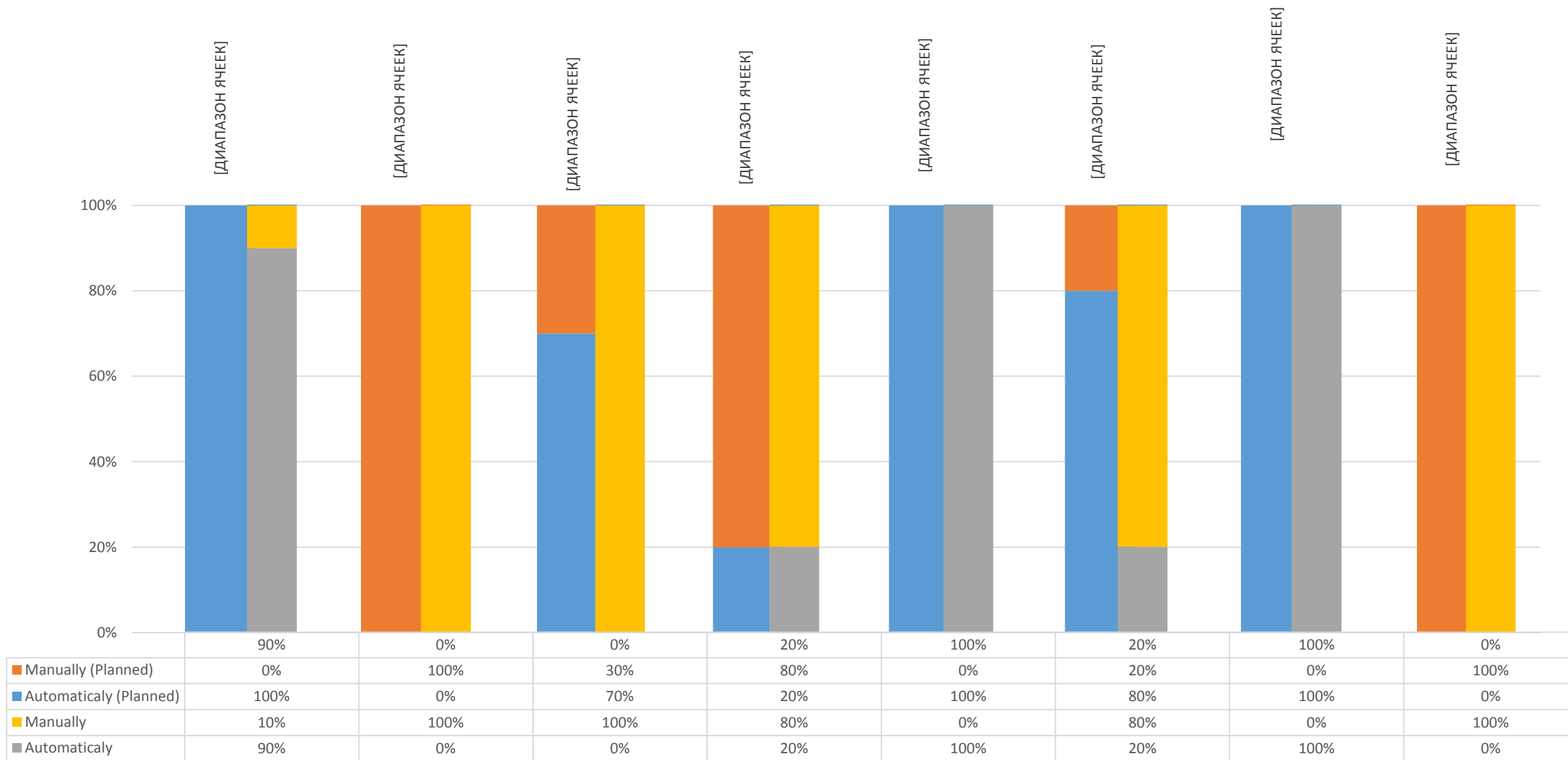
Additional goals:

Identifying points of optimization traditional classic design, including technology and software infrastructure.

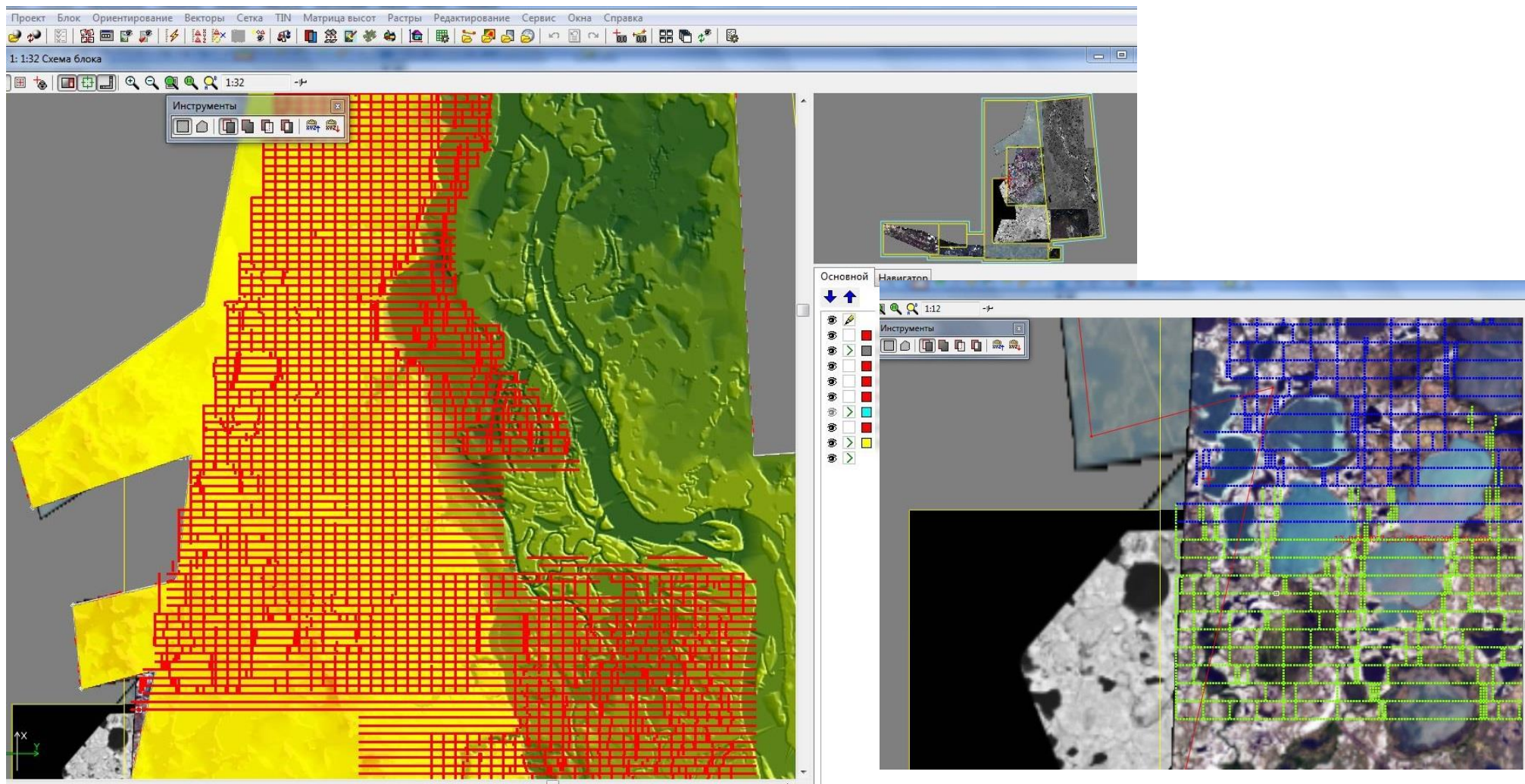
Determination of the risk associated with the inability to use automated processes, for subsequent accounting and planning future projects.



Workflows Comparison



PHOTOMOD in Exploration projects



Thank you for your attention

Khaydukova Diana

JSC "URALGEOINFORM", RUSSIA
